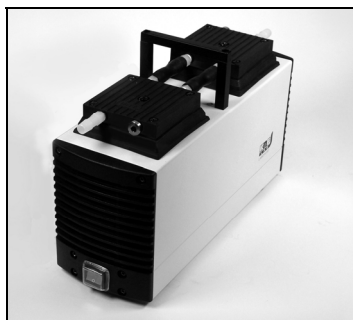


Laboport[®] Mini Laboratory Pumps

N 816.1.2 KN.18 N 816.1.2 KT.18 N 816.3 KN.18 N 816.3 KT.18
N 838.1.2 KN.18 N 838.1.2 KT.18 N 838.3 KN.18 N 838.3 KT.18

Operating Instructions

Read and observe these Operating Instructions!



N 816.1.2 KN.45.18 N 816.1.2 KT.45.18 N 816.3 KN.45.18 N 816.3 KT.45.18
N 838.1.2 KN.45.18 N 838.1.2 KT.45.18 N 838.3 KN.45.18 N 838.3 KT.45.18



KNF Neuberger UK Ltd
Ave 2, Station Lane Ind Est,
Witney, Oxfordshire,
OX28 4FA, UK
Tel: +44 (0)1993 778373
Fax +44 (0)1993 775148
E-mail: info@knf.co.uk
www.knf.co.uk

Contents

	Page
1. About this document.....	3
2. Use	4
3. Safety	5
4. Technical Data	7
5. Design and Function	16
6. Installation and connection.....	19
7. Operation.....	20
8. Servicing.....	23
9. Troubleshooting.....	30
10. Spare parts and accessories.....	32
11. Decontamination Declaration	34

1. About this document

1.1. Using the Operating Instructions

The Operating Instructions are part of the pump.

- Carefully study the Operating Instructions before using a pump.
- Always keep the Operating Instructions handy in the work area.
- Pass on the Operating Instructions to the next owner.

Project pumps

Customer-specific project pumps (pump models which begin with “PJ” or “PM”) may differ from the Operating Instructions.

- For project pumps, also observe the agreed upon specifications.

1.2. Symbols and Markings

Warning



WARNING

A danger warning is located here.

Possible consequences of a failure to observe the warning are specified here. The signal word, e.g. Warning, indicates the danger level.

- Measures for avoiding the danger and its consequences are specified here.

Danger levels

Signal word	Meaning	Consequences if not observed
DANGER	warns of immediate danger	Death or serious injuries and/or serious damage are the consequence.
WARNING	warns of possible danger	Death or serious injuries and/or serious damage are possible.
CAUTION	warns of a possibly dangerous situation	Minor injuries or damage are possible.

Tab. 1

Other information and symbols

- An activity to be carried out (a step) is specified here.
- 1. The first step of an activity to be carried out is specified here. Additional, consecutively numbered steps follow.

i This symbol refers to important information.

2. Use

2.1. Proper use

The pumps are exclusively intended for transferring gases and vapors.

Owner's responsibility

Operating parameters and conditions

Only install and operate the pumps under the operating parameters and conditions described in chapter 4, Technical data.

Make sure that the installation location is dry and the pump is protected against rain, splash, hose and drip water.

Requirements for transferred medium

Before using a medium, check whether the medium can be transferred danger-free in the specific application case.

Before using a medium, check the compatibility of the materials of the pump head, diaphragm and valves with the medium.

Only transfer gases which remain stable under the pressures and temperatures occurring in the pump.

Accessories

Laboratory equipment or additional components connected to a pump have to be suitable for use with the pneumatic capabilities of the pump.

2.2. Improper use

The pumps may not be operated in an explosive atmosphere.

The pumps are not suitable for transferring dusts.

The pumps are not suitable for transferring liquids.

The pumps must not be used to create vacuum and overpressure simultaneously.

An overpressure must not be applied to the suction side of the pump.

3. Safety

i Note the safety precautions in chapters 6. *Installation and connection*, and 7. *Operation*.

The pumps are built according to the generally recognized rules of technology and in accordance with the occupational safety and accident prevention regulations. Nevertheless, dangers can result during their use which lead to injuries to the user or others, or to damage to the pump or other property.

Only use the pumps when they are in a good technical and proper working order, in accordance with their intended use, observing the safety advice within the operating instructions, at all times.

Personnel

Make sure that only trained and instructed personnel or specially trained personnel work on the pumps. This especially applies to assembly, connection and servicing work.

Make sure that the personnel has read and understood the operating instructions, and in particular the "Safety" chapter.

Working in a safety-conscious manner

Observe the accident prevention and safety regulations when performing any work on the pump and during operation.

Do not expose any part of your body to the vacuum.

Open housing parts with notice sticker (see fig. 1) only after separating mains plug from power source.

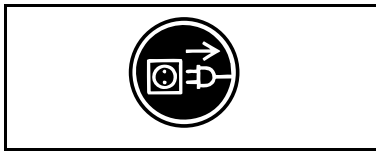


Fig. 1: Notice sticker

Handling dangerous media

When transferring dangerous media, observe the safety regulations when handling these media.

Handling flammable media

Be aware that the pumps are not designed to be explosion-proof.

Make sure the temperature of the medium is always sufficiently below the ignition temperature of the medium, to avoid ignition or explosion. This also applies for unusual operational situations.

Note that the temperature of the medium increases when the pump compresses the medium.

Hence, make sure the temperature of the medium is sufficiently below the ignition temperature of the medium, even when it is compressed to the maximum permissible operating pressure of the pump. The maximum permissible operating pressure of the pump is stated in the technical specifications (see chapter 4).

If necessary, consider any external sources of energy, such as radiation, that may add heat to the medium.

In case of doubt, consult the KNF customer service.

Environmental protection

Store all replacement parts in a protected manner and dispose of them properly in accordance with the applicable environmental protection regulations. Observe the respective national and international regulations. This especially applies to parts contaminated with toxic substances.

Standards	<p>The pumps conform to the safety regulations of the EC Directive 2004/108/EC concerning Electromagnetic Compatibility and the EC Directive 2006/42/EC concerning Machinery.</p> <p>The following harmonized standards have been used:</p> <ul style="list-style-type: none">▪ DIN EN 61010-1▪ DIN EN 61000-3-2/3▪ DIN EN 55014-1/2 <p>The pumps correspond to IEC 664:</p> <ul style="list-style-type: none">▪ the overvoltage category II▪ the pollution degree 2
Customer service and repairs	<p>Only have repairs to the pump carried out by the KNF Customer Service responsible.</p> <p>Only authorized personnel should open those parts of the housing that contain live electrical parts.</p> <p>Use only genuine parts from KNF for servicing work.</p>

4. Technical Data

i All pumps are secured against overheating with thermal switches and are equipped with a mains fuse.

Pump materials

N 816.1.2 KN.18

N 816.1.2 KN.45.18

N 816.3 KN.18

N 816.3 KN.45.18

Component	Pump material*
Pump head	PPS
Diaphragm	EPDM
Valves/Sealings	EPDM

Tab. 2

*according to DIN ISO 1629 and 1043.1

N 838.1.2 KN.18

N 838.1.2 KN.45.18

N 838.3 KN.18

N 838.3 KN.45.18

Component	Pump material*
Pump head	PPS
Diaphragm	EPDM
Valves/Sealings	FPM

Tab. 3

*according to DIN ISO 1629 and 1043.1

N 816.1.2 KT.18

N 816.1.2 KT.45.18

N 816.3 KT.18

N 816.3 KT.45.18

N 838.1.2 KT.18

N 838.1.2 KT.45.18

N 838.3 KT.18

N 838.3 KT.45.18

Component	Pump material*
Pump head	PPS
Diaphragm	PTFE-coated
Valves/Sealings	FFPM

Tab. 4

*according to DIN ISO 1629 and 1043.1

i Refer to the type plate for the pump's electrical configuration.

N 816.1.2 KN.18

N 816.1.2 KN.45.18

<i>Pneumatic performance</i>			
Max. permissible operating pressure [bar g]	0.5		
Ultimate vacuum [mbar abs.]	100		
Delivery rate at atm. pressure [l/min]*	30		
<i>Pneumatic connections</i>			
Hose connection [mm]	ID 6		
<i>Ambient and media temperature</i>			
Permissible ambient temperature	+ 5 °C to + 40 °C		
Permissible media temperature	+ 5 °C to + 40 °C		
<i>Other parameters</i>			
Weight [kg]	3.95		
Dimensions: L x H x W [mm]	361 x 141 x 102		
Maximum permissible ambient relative humidity	80 % for temperatures up to 31 °C, decreasing linearly to 50 % at 40 °C		
Max. altitude of site [m above sea level]	2000		
<i>Electrical Data</i>			
Voltage [V]	100	115	230
Frequency [Hz]	50/60	60	50
Max. operating current [A]	1.4	0.9	0.6
Power consumption pump [W]	100	100	100
Maximum permitted mains voltage fluctuations	+/- 10 %	+/- 10 %	+/- 10 %
Fuse pump** (2x) T [A]	2.5	2.5	1.25
Protection class motor	IP20		

Tab. 5

*Liters in standard state (1,013 mbar)

**For spare part-No. see chapter 10

N 816.1.2 KT.18**N 816.1.2 KT.45.18**

<i>Pneumatic performance</i>			
Max. permissible operating pressure [bar g]	0.5		
Ultimate vacuum [mbar abs.]	160		
Delivery rate at atm. pressure [l/min]*	30		
<i>Pneumatic connections</i>			
Hose connection [mm]	ID 6		
<i>Ambient and media temperature</i>			
Permissible ambient temperature	+ 5 °C to + 40 °C		
Permissible media temperature	+ 5 °C to + 40 °C		
<i>Other parameters</i>			
Weight [kg]	3.95		
Dimensions: L x H x W [mm]	361 x 141 x 102		
Maximum permissible ambient relative humidity	80 % for temperatures up to 31 °C, decreasing linearly to 50 % at 40 °C		
Max. altitude of site [m above sea level]	2000		
<i>Electrical Data</i>			
Voltage [V]	100	115	230
Frequency [Hz]	50/60	60	50
Max. operating current [A]	1.4	0.9	0.6
Power consumption pump [W]	100	100	100
Maximum permitted mains voltage fluctuations	+/- 10 %	+/- 10 %	+/- 10 %
Fuse pump** (2x) T [A]	2.5	2.5	1.25
Protection class motor	IP20		

Tab. 6

*Liters in standard state (1,013 mbar)

**For spare part-No. see chapter 10

N 816.3 KN.18

N 816.3 KN.45.18

<i>Pneumatic performance</i>			
Max. permissible operating pressure [bar g]	0.5		
Ultimate vacuum [mbar abs.]	15		
Delivery rate at atm. pressure [l/min]*	16		
<i>Pneumatic connections</i>			
Hose connection [mm]	ID 6		
<i>Ambient and media temperature</i>			
Permissible ambient temperature	+ 5 °C to + 40 °C		
Permissible media temperature	+ 5 °C to + 40 °C		
<i>Other parameters</i>			
Weight [kg]	3.95		
Dimensions: L x H x W [mm]	361 x 141 x 90		
Maximum permissible ambient relative humidity	80 % for temperatures up to 31 °C, decreasing linearly to 50 % at 40 °C		
Max. altitude of site [m above sea level]	2000		
<i>Electrical Data</i>			
Voltage [V]	100	115	230
Frequency [Hz]	50/60	60	50
Max. operating current [A]	1.4	0.9	0.6
Power consumption pump [W]	100	100	100
Maximum permitted mains voltage fluctuations	+/- 10 %	+/- 10 %	+/- 10 %
Fuse pump** (2x) T [A]	2.5	2.5	1.25
Protection class motor	IP20		

Tab. 7

*Liters in standard state (1,013 mbar)

**For spare part-No. see chapter 10

N 816.3 KT.18**N 816.3 KT.45.18**

<i>Pneumatic performance</i>			
Max. permissible operating pressure [bar g]	0.5		
Ultimate vacuum [mbar abs.]	20		
Delivery rate at atm. pressure [l/min]*	16		
<i>Pneumatic connections</i>			
Hose connection [mm]	ID 6		
<i>Ambient and media temperature</i>			
Permissible ambient temperature	+ 5 °C to + 40 °C		
Permissible media temperature	+ 5 °C to + 40 °C		
<i>Other parameters</i>			
Weight [kg]	3.95		
Dimensions: L x H x W [mm]	361 x 141 x 90		
Maximum permissible ambient relative humidity	80 % for temperatures up to 31 °C, decreasing linearly to 50 % at 40 °C		
Max. altitude of site [m above sea level]	2000		
<i>Electrical Data</i>			
Voltage [V]	100	115	230
Frequency [Hz]	50/60	60	50
Max. operating current [A]	1.4	0.9	0.6
Power consumption pump [W]	100	100	100
Maximum permitted mains voltage fluctuations	+/- 10 %	+/- 10 %	+/- 10 %
Fuse pump** (2x) T [A]	2.5	2.5	1.25
Protection class motor	IP20		

Tab. 8

*Liters in standard state (1,013 mbar)

**For spare part-No. see chapter 10

N 838.1.2 KN.18

N 838.1.2 KN.45.18

<i>Pneumatic performance</i>				
Max. permissible operating pressure [bar g]	0.5			
Ultimate vacuum [mbar abs.]	100			
Delivery rate at atm. pressure [l/min]*	37			
<i>Pneumatic connections</i>				
Hose connection [mm]	ID 10			
<i>Ambient and media temperature</i>				
Permissible ambient temperature	+ 5 °C to + 40 °C			
Permissible media temperature	+ 5 °C to + 40 °C			
<i>Other parameters</i>				
Weight [kg]	6.8			
Dimensions: L x H x W [mm]	404 x 210 x 110			
Maximum permissible ambient relative humidity	80 % for temperatures up to 31 °C, decreasing linearly to 50 % at 40 °C			
Max. altitude of site [m above sea level]	2000			
<i>Electrical Data</i>				
Voltage [V]	100	115	220	230
Frequency [Hz]	50/60	60	60	50
Max. operating current [A]	1.2	0.8	0.45	0.5
Power consumption pump [W]	80	80	80	80
Maximum permitted mains voltage fluctuations	+/- 10 %	+/- 10 %	+/- 10 %	+/- 10 %
Fuse pump** (2x) T [A]	2.5	1.6	1.0	1.0
Protection class motor	IP20			

Tab. 9

*Liters in standard state (1,013 mbar)

**For spare part-No. see chapter 10

N 838.1.2 KT.18**N 838.1.2 KT.45.18**

<i>Pneumatic performance</i>				
Max. permissible operating pressure [bar g]	0.5			
Ultimate vacuum [mbar abs.]	150			
Delivery rate at atm. pressure [l/min]*	37			
<i>Pneumatic connections</i>				
Hose connection [mm]	ID 10			
<i>Ambient and media temperature</i>				
Permissible ambient temperature	+ 5 °C to + 40 °C			
Permissible media temperature	+ 5 °C to + 40 °C			
<i>Other parameters</i>				
Weight [kg]	6.8			
Dimensions: L x H x W [mm]	404 x 210 x 110			
Maximum permissible ambient relative humidity	80 % for temperatures up to 31 °C, decreasing linearly to 50 % at 40 °C			
Max. altitude of site [m above sea level]	2000			
<i>Electrical Data</i>				
Voltage [V]	100	115	220	230
Frequency [Hz]	50/60	60	60	50
Max. operating current [A]	1.2	0.8	0.45	0.5
Power consumption pump [W]	80	80	80	80
Maximum permitted mains voltage fluctuations	+/- 10 %	+/- 10 %	+/- 10 %	+/- 10 %
Fuse pump** (2x) T [A]	2.5	1.6	1.0	1.0
Protection class motor	IP20			

Tab. 10

*Liters in standard state (1,013 mbar)

**For spare part-No. see chapter 10

N 838.3 KN.18

N 838.3 KN.45.18

<i>Pneumatic performance</i>				
Max. permissible operating pressure [bar g]	0.5			
Ultimate vacuum [mbar abs.]	12			
Delivery rate at atm. pressure [l/min]*	22			
<i>Pneumatic connections</i>				
Hose connection [mm]	ID 10			
<i>Ambient and media temperature</i>				
Permissible ambient temperature	+ 5 °C to + 40 °C			
Permissible media temperature	+ 5 °C to + 40 °C			
<i>Other parameters</i>				
Weight [kg]	6.8			
Dimensions: L x H x W [mm]	404 x 210 x 110			
Maximum permissible ambient relative humidity	80 % for temperatures up to 31 °C, decreasing linearly to 50 % at 40 °C			
Max. altitude of site [m above sea level]	2000			
<i>Electrical Data</i>				
Voltage [V]	100	115	220	230
Frequency [Hz]	50/60	60	60	50
Max. operating current [A]	1.2	0.8	0.45	0.5
Power consumption pump [W]	80	80	80	80
Maximum permitted mains voltage fluctuations	+/- 10 %	+/- 10 %	+/- 10 %	+/- 10 %
Fuse pump** (2x) T [A]	2.5	1.6	1.0	1.0
Protection class motor	IP20			

Tab. 11

*Liters in standard state (1,013 mbar)

**for spare part-No. see chapter 10

N 838.3 KT.18**N 838.3 KT.45.18**

<i>Pneumatic performance</i>				
Max. permissible operating pressure [bar g]	0.5			
Ultimate vacuum [mbar abs.]	15			
Delivery rate at atm. pressure [l/min]*	22			
<i>Pneumatic connections</i>				
Hose connection [mm]	ID 10			
<i>Ambient and media temperature</i>				
Permissible ambient temperature	+ 5 °C to + 40 °C			
Permissible media temperature	+ 5 °C to + 40 °C			
<i>Other parameters</i>				
Weight [kg]	6.8			
Dimensions: L x H x W [mm]	404 x 210 x 110			
Maximum permissible ambient relative humidity	80 % for temperatures up to 31 °C, decreasing linearly to 50 % at 40 °C			
Max. altitude of site [m above sea level]	2000			
<i>Electrical Data</i>				
Voltage [V]	100	115	220	230
Frequency [Hz]	50/60	60	60	50
Max. operating current [A]	1.2	0.8	0.45	0.5
Power consumption pump [W]	80	80	80	80
Maximum permitted mains voltage fluctuations	+/- 10 %	+/- 10 %	+/- 10 %	+/- 10 %
Fuse pump** (2x) T [A]	2.5	1.6	1.0	1.0
Protection class motor	IP20			

Tab. 12

*Liters in standard state (1,013 mbar)

**for spare part-No. see chapter 10

5. Design and Function

Design N 816.1.2 K_18

- 1 Outlet (pressure side)
- 2 Pneumatic connection
- 3 Pump head
- 4 Inlet (suction side)
- 5 Power switch

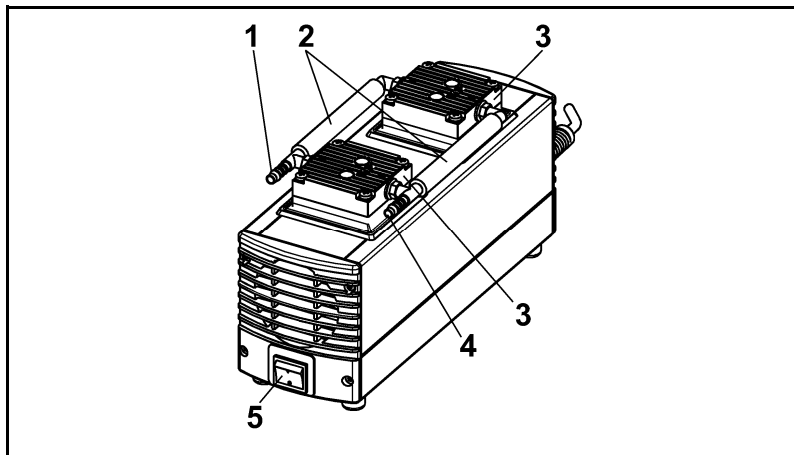


Fig. 2

Design N 816.3 K_18

- 1 Inlet (suction side)
- 2 Pneumatic connection
- 3 Outlet (pressure side)
- 4 Pump head
- 5 Power switch

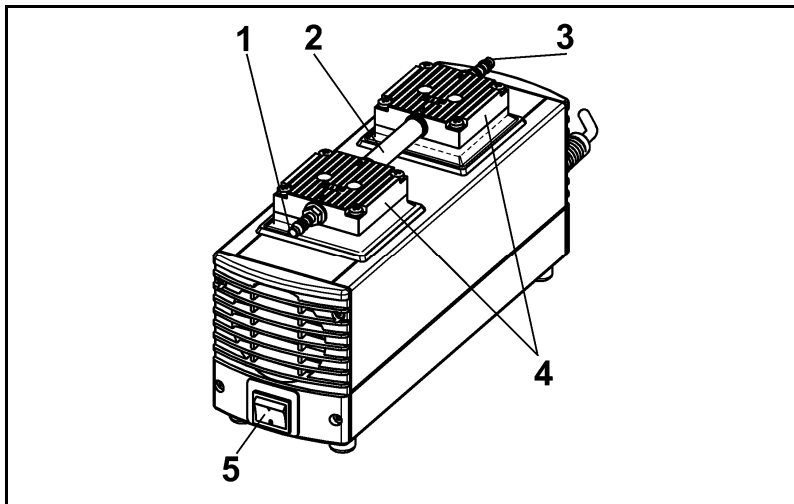


Fig. 3

Design N 838.1.2 K_18

- 1 Inlet (suction side)
- 2 Pump head
- 3 Outlet (pressure side)
- 4 Pneumatic connection
- 5 Power switch

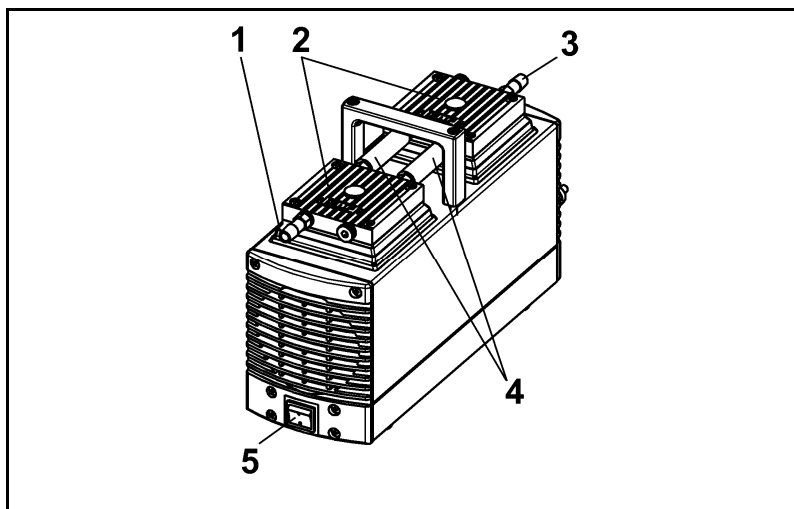


Fig. 4

Design N 838.3 K_18

- 1 Inlet (suction side)
- 2 Pump head
- 3 Outlet (pressure side)
- 4 Pneumatic connection
- 5 Power switch

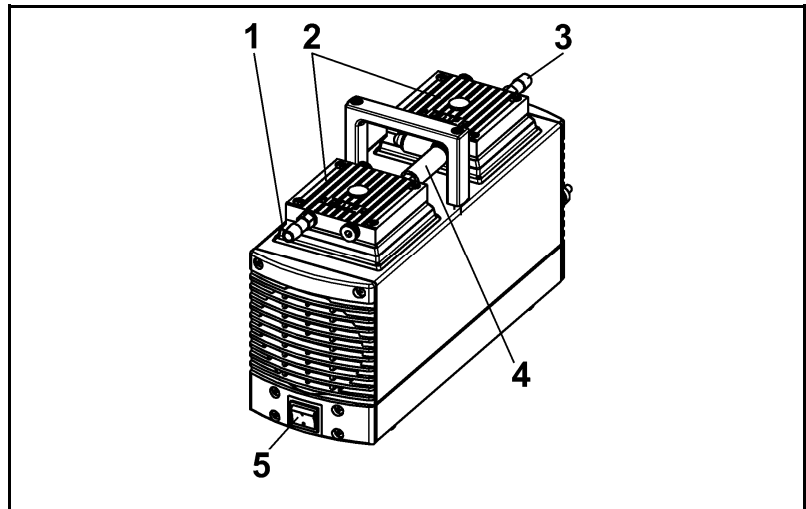


Fig. 5

Design N 8__1.2 __.45.18 and N 8__3 __.45.18

- 1 Inlet (suction side)
- 2 Outlet (pressure side)
- 3 Pneumatic connection
- 4 Pump head
- 5 Power switch
- 6 Fine-adjustment valve
- 7 Manometer

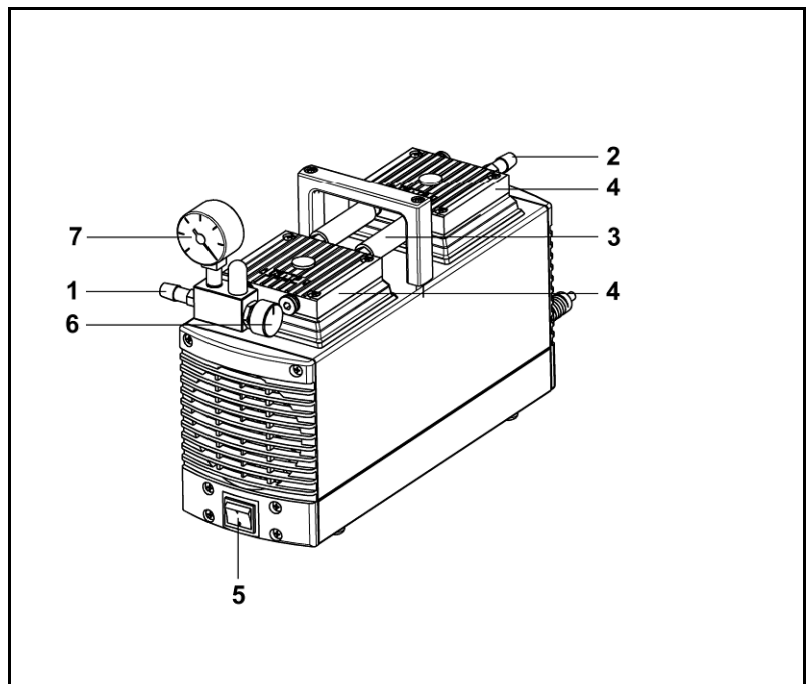


Fig. 6

Function Diaphragm Pump

- 1 Outlet valve
- 2 Inlet valve
- 3 Transfer chamber
- 4 Diaphragm
- 5 Eccentric
- 6 Connecting rod
- 7 Pump drive

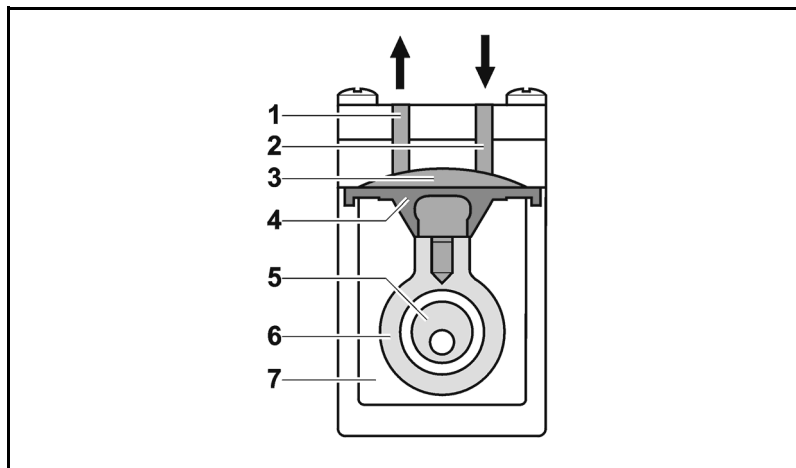


Fig. 7: Pump head

Diaphragm pumps transfer, compress (depending on pump version) and evacuate gases and vapors.

The elastic diaphragm (4) is moved up and down by the eccentric (5) and the connecting rod (6). In the downward stroke it aspirates the gas to be transferred via the inlet valve (2). In the upward stroke, the diaphragm presses the medium out of the pump head via the outlet valve (1). The transfer chamber (3) is hermetically separated from the pump drive (7) by the diaphragm.

6. Installation and connection

Only install and operate the pumps under the operating parameters and conditions described in chapter 4, Technical data.

Observe the safety precautions (see chapter 3).

6.1. Installation

- Before installation, store the pump at the installation location to bring it up to room temperature.
- Dimensions → See chapter 4, Technical data, for the dimensions of pump.
- Cooling air supply → Install the pump so that the motor fan can intake sufficient cooling air.
- Installation location → Make sure that the installation location is dry and the pump is protected against rain, splash, hose and drip water.
- Choose a safe location (flat surface) for the pump.
- Protect the pump from dust.
- Protect the pump from vibrations and jolts.

6.2. Connection

- Connected components → Only connect components to the pump which are designed for the pneumatic data of the pump (see chapter 4).
- Pump exhaust → If the pump is used as a vacuum pump, safely discharge the pump exhaust at the pump's pneumatic outlet.
- Connection
 - i** A marking on the pump head shows the direction of flow.
 - 1. Remove the protective plugs from the pneumatic connectors of the pump.
 - 2. Mount accessory parts filter or silencer (if present).
 - i** Before mounting the filter, unscrew the hose connector from the thread in the pump head.
 - 3. Connect the suction line and pressure line (N 816._K_.18: tube ID 6 mm and N 838._K_.18: tube ID 10 mm).
 - 4. Lay the suction and pressure line at a downward angle to prevent condensate from running into the pump.
 - 5. Insert the power cable's plug into a properly installed shockproof socket.

7. Operation

7.1. Preparing for Start-up

Before switching on the pump, observe the following points:

	Operational requirements
Pump	<ul style="list-style-type: none"> ▪ All hoses attached properly ▪ Fan openings not blocked ▪ Specifications of the power supply correspond with the data on the pump's type plate. ▪ The pump outlet is not closed or constricted.

Tab. 13

7.2. Starting

- Only operate the pump under the operating parameters and conditions described in chapter 4, Technical data.
- Make sure the pump is used properly (see chapter 2.1).
- Make sure the pump is not used improperly (see chapter 2.2).
- Observe the safety precautions (see chapter 3).



WARNING

Hazard of the pump head bursting due to excessive pressure increase

- Do not exceed max. permissible operating pressure (see chapter 4).
- Monitor pressure during operation.
- If the pressure exceeds the maximum permissible operating pressure, immediately shut down pump and eliminate fault (see chapter 9. Troubleshooting).
- Only throttle or regulate the air or gas quantity in the suction line to prevent the maximum permissible operating pressure from being exceeded.
- If the air or gas quantity in the pressure line is throttled or regulated, make sure that the maximum permissible operating pressure of the pump is not exceeded.

i Excessive pressure (with all of the related hazards) can be prevented by placing a bypass line with a pressure-relief valve between the pressure and suction side of the pump. For further information, contact your KNF technical adviser.

- Pump standstill → With the pump at a standstill, open pressure and suction lines to normal atmospheric pressure.

**WARNING**

Automatic starting can cause personal injury and pump damage

When the operation of the pump is interrupted by the thermal switch, the pump will restart automatically after cooling down.

- After triggering of the thermal protection or in the event of power failure, remove the pump's mains plug from the socket so that the pump cannot start uncontrollably.
 - Attempt work on the pump only if the pump is separated from mains power.
-

7.3. Switching pump on and off

Switching pump on

i The pump may not start up against pressure or suction during switch-on. This also applies in operation following a brief power failure. If a pump starts against pressure or vacuum, it may block. This activates the thermal switch, and the pump switches off.

- Make sure that no vacuum or pressure is present in the lines during switch-on.
- Switch on pump with mains switch (see fig. 2 to 6, depending on pump type)

Switching off the pump/removing from operation

- When transferring aggressive media, flush the pump prior to switch-off to increase the service life of the diaphragm (see chapter 8.2.1).
- Switch off pump with mains switch (see fig. 2 to 6, depending on pump type).
- Open pressure and suction lines to normal atmospheric pressure.
- Disconnect the power source.

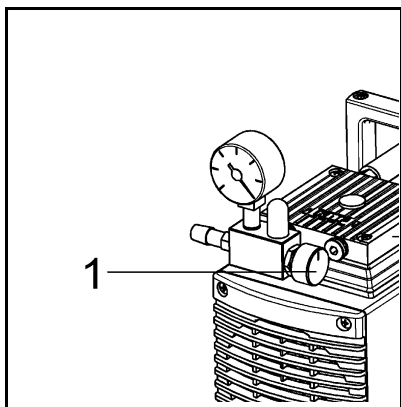


Fig. 8: Fine-adjustment valve

7.4. Adjusting flow volume (versions with fine-adjustment valve)

- Regulate the flow volume of the pump at the valve knob of fine-adjustment valve (see fig. 8/1).

8. Servicing

8.1. Servicing Schedule

Component	Servicing interval
Pump	Regular inspection for external damage or leaks
Filter (Accessory)	Replace if it is dirty
Diaphragm and valve plates/sealings	Replace at the latest, when pump output decreases

Tab. 14

8.2. Cleaning

i When cleaning, make sure that no liquids enter the inside of the housing.

8.2.1. Flushing Pump

→ Before switching off the pump, flush it with air (if necessary for safety reasons: with an inert gas) for about five minutes under atmospheric conditions (ambient pressure).

8.2.2. Cleaning Pump

- As far as possible, clean the parts with a dry cloth.
- Only use solvents for cleaning if the head materials cannot be attacked (check the resistance of the material!).
- If compressed air is available, blow out the components.

8.3. Changing Diaphragm and Valves

8.3.1. N 816._K_.18

Conditions

- Pump is switched off and mains plug is removed from the socket
- Pump is clean and free of hazardous materials
- Tubes removed from pump's pneumatic inlet and outlet

Spare parts/tools

Spare part/tool
Service Set (according to chapter 10)
Philips-head screwdriver No. 2
Small screwdriver (blade width 0.5 mm)
Pencil

Tab. 15

Information on procedure

- ➔ Always replace diaphragm and valve plates/sealings together to maintain the pump performance.
- ➔ Replace the diaphragms and valve plates/sealings of two-headed pumps consecutively.



WARNING

Health hazard due to dangerous substances in the pump!

Depending on the substance transferred, caustic burns or poisoning are possible.

- ➔ Wear protective clothing if necessary, e.g. protective gloves.
- ➔ Flush pump before replacing the diaphragm and valve plates/sealings (see chapter 8.2.1).

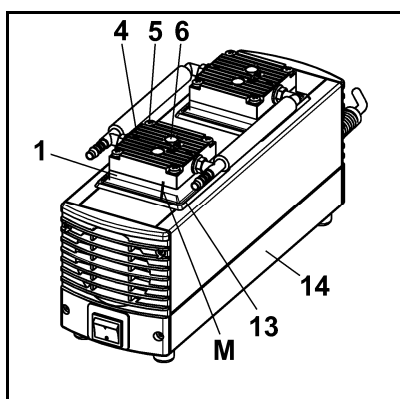


Fig. 9: Removing pump heads

Removing pump heads

1. At both pump heads: Mark the position of head plate (4), intermediate plate (1), cover (13) and housing (14) relative to each other by a drawing line (M) with a pencil. This helps avoid incorrect assembly later.
2. At both pump heads: Undo the 4 screws (5) in the head plate (4).
3. Remove both pump heads (each consisting of a head plate (4) and intermediate plate (1)) together from the pump housing (14).

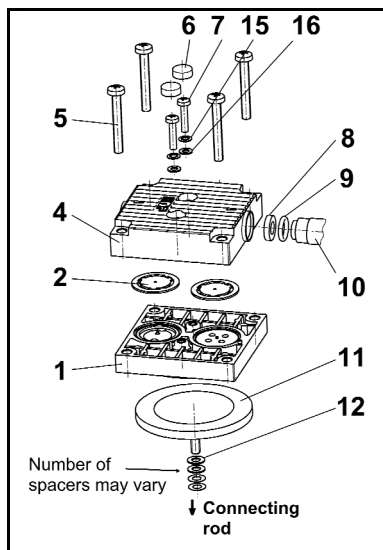


Fig. 10: Pump head
(exploded drawing)

Change diaphragm

i Replace the diaphragms consecutively to ensure the same number of diaphragm spacers is used as before.

1. Push down one diaphragm (11) to bring the other diaphragm to top dead centre.
2. Lift the edge of the highest diaphragm (11) and, gripping it on opposite sides, unscrew it by turning anti-clockwise.

i Make sure the diaphragm spacers (12) on the thread of the diaphragm (11) do not fall into the pump housing.

3. Take the diaphragm spacers (12) off the threaded portion of the diaphragm (11) and retain them.
4. Check that all parts are free from dirt and clean them if necessary (see chapter 6. Cleaning).
5. Put the diaphragm spacers (12) on the thread of the new diaphragm (11).
6. Push down the diaphragm (11) of the second pump head until the connecting rod (connecting part between motor shaft and diaphragm) is at top dead centre.
7. Screw the new diaphragm (11), complete with diaphragm spacers (12), into the connecting rod (clockwise) and tighten it by hand.
8. Carry out steps 1 to 7 for the second pump head.

Changing the valve plates/sealings

i Replacing the valve plates/sealings of pump-heads consecutively.

1. Only for Pumps N 816.3 KN.18, N 816.3 KT.18, N 816.3 KN.45.18 and N 816.3 KT.45.18:
Pull the connecting tube (10) out of one of the two head plates (4); take care to ensure that the sealing (8) and the O-ring (9) are not lost.
2. For one pump head: Use a small screwdriver to undo the two screw caps (6) on the pump head and then undo the screws (7).
3. Separate the head plate (4) from intermediate plate (1).
4. Remove the valve plates/sealings (2) from the intermediate plate (1).
5. Check that the valve seats, intermediate plate (1) and the head plate (4) are clean; if scratches or distortion are evident on these parts they should be replaced.
6. Lay the new valve plates/sealings (2) in the recesses in the intermediate plate (1). The valve plates/sealings for suction and pressure sides are identical, as are upper and lower sides of the valve plates/sealings.

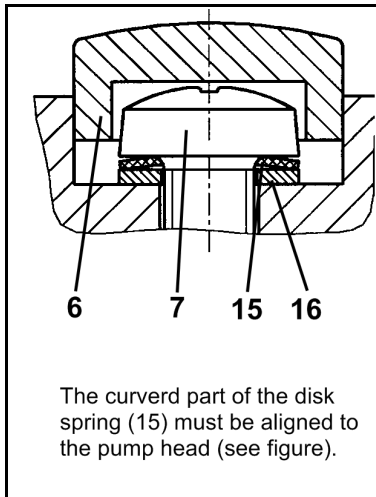


Fig. 11: Orientation disk spring

7. Check that the valve plates/sealings (2) are not deformed by moving them gently sideways in their recesses.
 8. Place the head plate (4) on the intermediate plate (1), in the position indicated by the marking (M).
 9. Check that the head plate (4) is centred by moving it gently sideways.
 10. Join the head plate (4) and the intermediate plate (1): Tighten the two screws (7) (tightening torque: 70 Ncm).
- i** For placement of disk spring (15) and washer (16) and for orientation of disk spring see fig. 11.
11. Install the screw caps (6).
 12. Carry out steps 2 to 11 for the second pump head.
 13. Dispose of the old diaphragms and valve plates/sealings properly.

Refit pump heads

1. Only for pumps N 816.3 KN.18, N 816.3 KT.18, N 816.3 KN.45.18 and N 816.3 KT.45.18:

Put the sealing (fig. 10/8) into the head plate (4); push the connecting tube (10) into the hole in the head plate (4).

- i** It is necessary to ensure that the O-ring (9) lies on the end of the connecting tube.
2. Place the two pump heads that are joined by the pneumatic connecting tube(s) (10) on the housing according to the markings (M).
- i** Make sure the cover (13) is placed on the pump head and is not jammed. For this, carefully slide a small screw driver between the cover (13) and the pump head
- i** If the cover is jammed between the intermediate plate (1) and head plate (4), then the pump will not provide the nominal pneumatical performance.
3. On both pump heads: Gently tighten the screws (5), evenly and diagonally (tightening torque: 3 Nm).

Final steps

1. Reconnect suction and pressure line to the pump.
2. Reconnect the pump to the electricity supply.

If you have any question about servicing call your KNF technical adviser (see last page for contact telephone number).

8.3.2. 838._K_.18

- Conditions
- Pump is switched off and mains plug is removed from the socket
 - Pump is clean and free of hazardous materials
 - Tubes removed from pump's pneumatic inlet and outlet

Spare parts/tools

Spare parts/tools
Service Set (according to chapter 10)
Philips-head screwdriver No. 2
Small screwdriver (blade width 0.5 mm)
Pencil

Tab. 16

Information on procedure

- ➔ Always replace diaphragm and valve plates/sealings together to maintain the pump performance.
- ➔ Replace the diaphragms and valve plates/sealings of the pump heads consecutively.

**WARNING**

Health hazard due to dangerous substances in the pump!

Depending on the substance transferred, caustic burns or poisoning are possible.

- ➔ Wear protective clothing if necessary, e.g. protective gloves.
- ➔ Flush pump before replacing the diaphragm and valve plates/sealings (see chapter 8.2.1).

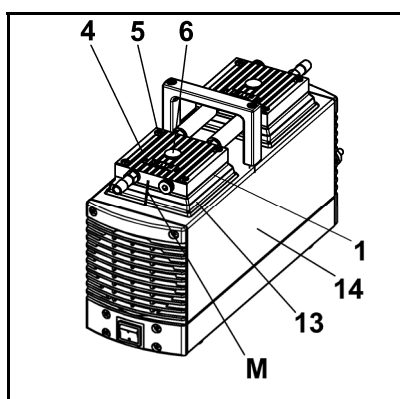


Fig. 12: Remove pump heads

Remove pump heads

1. At both pump heads: Mark the position of head plate (4), intermediate plate (1), cover (13) and housing (14) relative to each other by a drawing line (M) with a pencil. This helps avoid incorrect assembly later.
2. At both pump heads: Undo the 4 screws (5) in the head plate (4).
3. Remove both pump heads (each consisting of a head plate (4) and intermediate plate (1)) together from the pump housing (14).

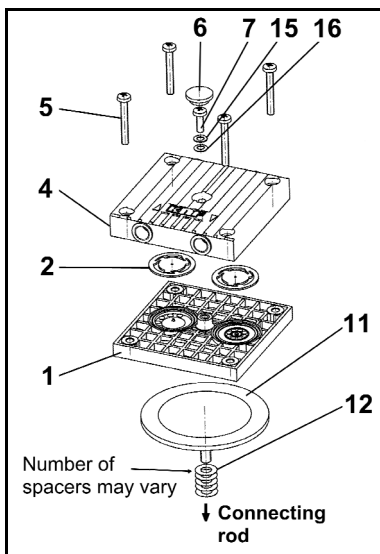


Fig. 13: Pump head (Exploded drawing)

Change diaphragm

i Replace the diaphragms consecutively to ensure that the same number of diaphragm spacers is used as before.

1. Push down one diaphragm (11) to bring the other diaphragm to top dead centre.
2. Lift the edge of the highest diaphragm (11) and, gripping it on opposite sides, unscrew it by turning anti-clockwise.

i Make sure the diaphragm spacers (12) on the thread of the diaphragm (11) do not fall into the pump housing.

3. Take the diaphragm spacers (12) off the threaded portion of the diaphragm (11) and retain them.
4. Check that all parts are free from dirt and clean them if necessary (see chapter 6. Cleaning).
5. Put the diaphragm spacers (12) on the thread of the new diaphragm (11).
6. Push down the diaphragm (11) of the second pump head until the connecting rod (connecting part between motor shaft and diaphragm) is at top dead centre.
7. Screw the new diaphragm (11), complete with diaphragm spacers (12), into the connecting rod (clockwise) and tighten it by hand.
8. Carry out steps 1 to 7 for the second pump head.

Changing the valve plates/sealings

1. For one pump head: Use a small screwdriver to undo the screw cap (6) on the pump head and then undo the screw (7).
2. Separate the head plate (4) from intermediate plate (1).
3. Remove the valve plates/sealings (2) from the intermediate plate (1).
4. Check that the valve seats, intermediate plate (1) and the head plate (4) are clean; if scratches or distortion are evident on these parts they should be replaced.
5. Lay the new valve plates/sealings (2) in the recesses in the intermediate plate (1). The valve plates/sealings for suction and pressure sides are identical, as are upper and lower sides of the valve plates/sealings.
6. Check that the valve plates/sealings (2) are not deformed by moving them gently sideways in their recesses.
7. Place the head plate (4) on the intermediate plate (1), in the position indicated by the marking (M).
8. Check that the head plate (4) is centred by moving it gently sideways.
9. Join the head plate (4) and the intermediate plate (1): Tighten the two screws (7) (tightening torque: 70 Ncm).

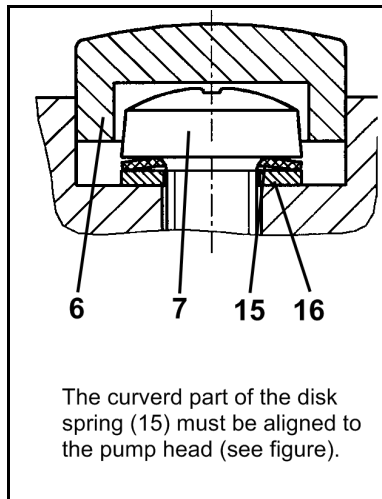


Fig. 14: Orientation disk spring

i For placement of disk spring (15) and washer (16) and for orientation of disk spring see fig. 14.

10. Install the screw caps (6).
11. Carry out steps 1 to 10 for the second pump head.
12. Dispose of the old diaphragms and valve plates/sealings properly.

Refit pump heads

1. Place the two pump heads that are joined by the pneumatic connecting tube on the housing according to the markings (M).

i Make sure the cover (fig. 12/13) is placed on the pump head and is not jammed. For this, carefully slide a small screw driver between the cover (13) and the pump head.

i If the cover is jammed between the intermediate plate (1) and head plate (4), then the pump will not provide the nominal pneumatical performance.

2. On both pump heads: Gently tighten the screws (5), evenly and diagonally (tightening torque: 3 Nm)

Final steps

1. Reconnect suction and pressure line to the pump.
2. Reconnect the pump to the electricity supply.

If you have any question about servicing call your KNF technical adviser (see last page for contact telephone number).

9. Troubleshooting



Extreme danger from electrical shock!

→ Disconnect the pump power supply before working on the pump.

DANGER

→ Make sure the pump is de-energized and secure.

→ Check the pump (see Tab. 17 to 20).

Pump produces no flow	
Cause	Fault remedy
No voltage in the power source	→ Check room fuse and switch on if necessary.
Thermal switch has operated following to over-heating.	→ Disconnect pump from mains. → Allow pump to cool. → Trace cause of over-heating and eliminate it.
Connections or lines blocked.	→ Check connections and lines. → Remove blockage.
External valve is closed or filter is clogged.	→ Check external valves and filters.
Condensate has collected in pump head.	→ Detach the condensate source from the pump. → Flush pump (see chapter 8.2.1).
Diaphragm or valve plates/sealings are worn.	→ Replace diaphragm and valve plates/sealings (see chapter 8.3).

Tab. 17

Flow rate, pressure or vacuum too low	
The pump does not achieve the output specified in the Technical data or the data sheet.	
Cause	Fault remedy
Condensate has collected in pump head.	→ Detach the condensate source from the pump. → Flush pump (see chapter 8.2.1).
There is gauge pressure on pressure side and at the same time vacuum or a pressure above atmospheric pressure on suction side.	→ Change the pressure conditions.
Pneumatic lines or connection parts have an insufficient cross section.	→ Disconnect pump from system to determine output values. → Eliminate throttling (e.g. valve) if necessary. → Use lines or connection parts with larger cross section if necessary.
Leaks occur on connections, lines or pump head.	→ Check that tubes sit correctly on hose nozzles. → Replace leaky tubes. → Eliminate leaks.
Connections or lines completely or partially jammed.	→ Check connections and lines. → Remove the jamming parts and particles.
Head parts are soiled.	→ Clean head components.
Diaphragm or valve plates/sealings are worn.	→ Replace diaphragm and valve plates/sealings, (see chapter 8.3).

Flow rate, pressure or vacuum too low	
The pump does not achieve the output specified in the Technical data or the data sheet.	
Cause	Fault remedy
After diaphragm and valve plates/sealings have been replaced	<ul style="list-style-type: none"> ➔ Check that the spacers have been replaced onto the diaphragm screw thread. ➔ Check head connection and hose connections for leaks. ➔ Possibly carefully tighten the outer screws of the top plate crosswise.

Tab. 18

Pump is switched on, but does not run, the on/off-switch on the pump is not lit	
Cause	Fault remedy
Pump is not connected with the power source.	➔ Connect pump to mains power.
No voltage in the power source	➔ Check room fuse and switch on if necessary.
Fuse in the pump is defective.	<ul style="list-style-type: none"> ➔ Remove pump's mains plug from the socket. ➔ Pumps 816._K_.18: Fuses are located in the housing, and can be accessed by removing the fan cover ➔ Pumps 838._K_.18: Fuses are located in the housing, and can be accessed by removing the terminal box plate on the bottom of the pump. ➔ Select and replace suitable fuse (see chapter 4).

Tab. 19

Pump is switched on, but does not run, the on/off-switch on the pump is lit	
Cause	Fault remedy
The thermal switch has opened due to overheating	<ul style="list-style-type: none"> ➔ Remove pump's mains plug from the socket. ➔ Allow pump to cool. ➔ Trace cause of over-heating and eliminate it.

Tab. 20

Fault cannot be rectified

If you are unable to determine any of the specified causes, send the pump to KNF Customer Service (see first page for the address).

1. Flush the pump to free the pump head of dangerous or aggressive gases (see chapter 8.2.1).
2. Clean the pump (see chapter 8.2.2).
3. Send the pump to KNF with a filled out decontamination declaration (see chapter 11) and specification of the medium transferred.

10. Spare parts and accessories

10.1. Spare parts

A Service Set contains all spare parts needed for one complete service

- 2 diaphragms
- 4 valve plates/sealings

Service Set for pump type:	Order-No.:
N 816.1.2 KN.18	056315
N 816.1.2 KN.45.18	056315
N 816.1.2 KT.18	056316
N 816.3 KT.45.18	056316
N 816.3 KN.18	056315
N 816.3 KN.45.18	056315
N 816.3 KT.18	056316
N 816.3 KT.45.18	056316
N 838.1.2 KN.18	111952
N 838.1.2 KN.45.18	111952
N 838.1.2 KT.18	111953
N 838.1.2 KT.45.18	111953
N 838.3 KN.18	111952
N 838.3 KN.45.18	111952
N 838.3 KT.18	111953
N 838.3 KT.45.18	111953

Tab. 21

Fuses

Each pump contains two fuses.

Pump range	Order-No. fuse (1 piece)
N 816._K_.18, 230 V	027574
N 816._K_.18, 115 V	027575
N 816._K_.18, 100 V	027575
N 838._K_.18, 230 V	025250
N 838._K_.18, 115 V	020255
N 838._K_.18, 100 V	027575
N 838._K_.18, 220 V	025250

Tab. 22

10.2. Accessories

N 816 K_.18

Description	Order-No.:
Silencer	000345
Hose connector PVDF	014052
Fine-adjustment valve	056547

Tab. 23

N 838._ K_.18

Description	Order-No.:
Fine-adjustment valve	112432
Silencer	007006
Fine-adjustment valve	112004

Tab. 24

11. Decontamination Declaration

i The condition for the repair of a pump by KNF is the certification of the customer on the transferred media and on the cleaning of the pump (decontamination declaration).

- ➔ Copy this page.
- ➔ Enter the pump model, the Serial No. and the transferred media in the form below and sent the signed form together with the flushed and cleaned pump to KNF Customer Service.

KNF Neuberger UK Ltd
 Ave 2, Station Lane Ind Est,
 Witney, Oxfordshire,
 OX28 4FA, UK
 Tel: +44 (0)1993 778373
 Fax: +44 (0)1993 775148
 E-mail: info@knf.co.uk
 www.knf.co.uk

Customer decontamination declaration for repair order

We herewith confirm that the following media have been pumped with the pump listed below, and that the pump has been flushed and cleaned.

Pump model	
Serial No.	
Fed media	

The pump contains neither aggressive, biological, radioactive, poisonous nor other dangerous media.

 Company

 Date/Signature

EG – Konformitätserklärung / EC declaration of conformity

im Sinne der EG-Richtlinien / following the EC directives

Maschinen 2006/42/EG / Machinery 2006/42/EC

und / and

Elektromagnetische Verträglichkeit 2004/108/EG / Electromagnetic compatibility 2004/108/EC

Hiermit erklärt der Hersteller:

Herewith the manufacturer:

KNF Neuberger GmbH, Alter Weg 3, D-79112 Freiburg

dass folgende Membranpumpen bzw. -kompressoren,
declares that the following diaphragm pumps and compressors respectively,

N816 .18

N838 .18

allen einschlägigen Bestimmungen folgender Richtlinien entspricht:
fulfil all the relevant provisions of the following Directives:

EG-Richtlinie Maschinen 2006/42/EG

EC directive machinery 2006/42/EC

EG-Richtlinie über elektromagnetische Verträglichkeit 2004/108/EG

EC directive about the electromagnetic compatibility 2004/108/EC

Dokumentationsverantwortlicher:

Authorised person to compile the relevant technical documentation:

S. Schreiber, Konstruktionsleiter, KNF Neuberger GmbH, Alter Weg 3, D-79112 Freiburg

Folgende harmonisierte Normen wurden angewandt:

The following harmonized standards have been used:

DIN EN 55014-1 : 2007-06

DIN EN 61010-1 : 2002-08

DIN EN 55014-2 : 2009-06

DIN EN 61000-3-2 : 2006-10

DIN EN 61000-3-3 : 2009-06

Freiburg, 29. Dezember 2009

.....
Ort, Datum
place, date.....
Technischer Leiter:
Technical Director
ppa. E. Hauser

